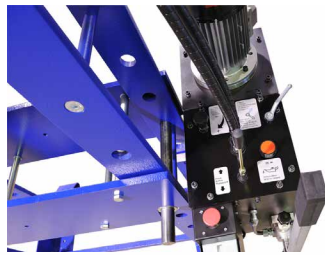


Broaching Press

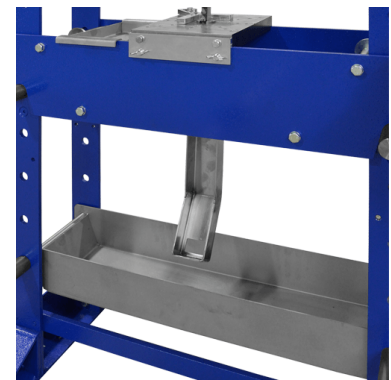


This broaching press from Profi Press is exclusively made in the Netherlands and has a capacity of 15 tons. The piston stroke is 600 mm and the hydraulic press includes a hand operated up/down valve for the movement of the piston, a pressure control valve and a speed control valve.



Optional Accessories

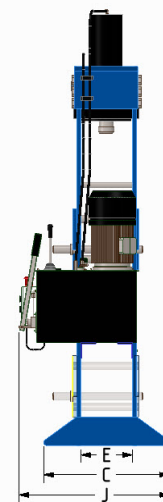
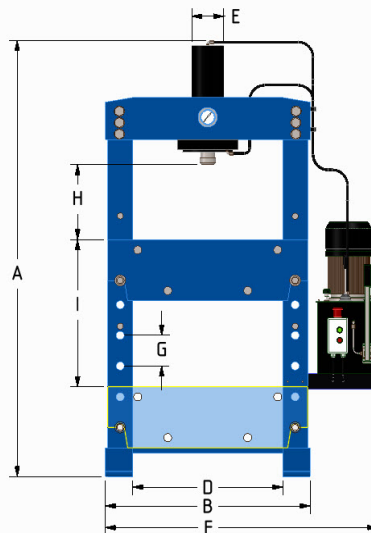
- V-Block sets
- Collection tray between feet
- Collection tray for broach tool
- Material tray for working table



15 TON

Technical Specifications

Pressure Force (kN)	147
Maximum Pressure (bar)	232
Movable Cylinder	No
Piston Stroke (mm)	600
Oil Delivery Unit (ltr/min)	11.8
Working Speed (mm/sec)	0-30
Approach Speed (mm/sec)	0-30
Return Speed (mm/sec)	0-40
Motor Power (kW)	5.5
Power Requirements	400V,3 Phase
Frequency (Hz)	50 / 60
Working width (mm)	650
Insulation proection(IP)	54
Weight (kg)	385



Dimensions

A	2300
B	820
C	494
D	650
E	200
F	1140
G	100
H	112
I	900
J	700
K	110

Main Cylinder Diameter	90 mm
Piston Rod Diameter	50 mm
Piston Head Diameter	80 mm